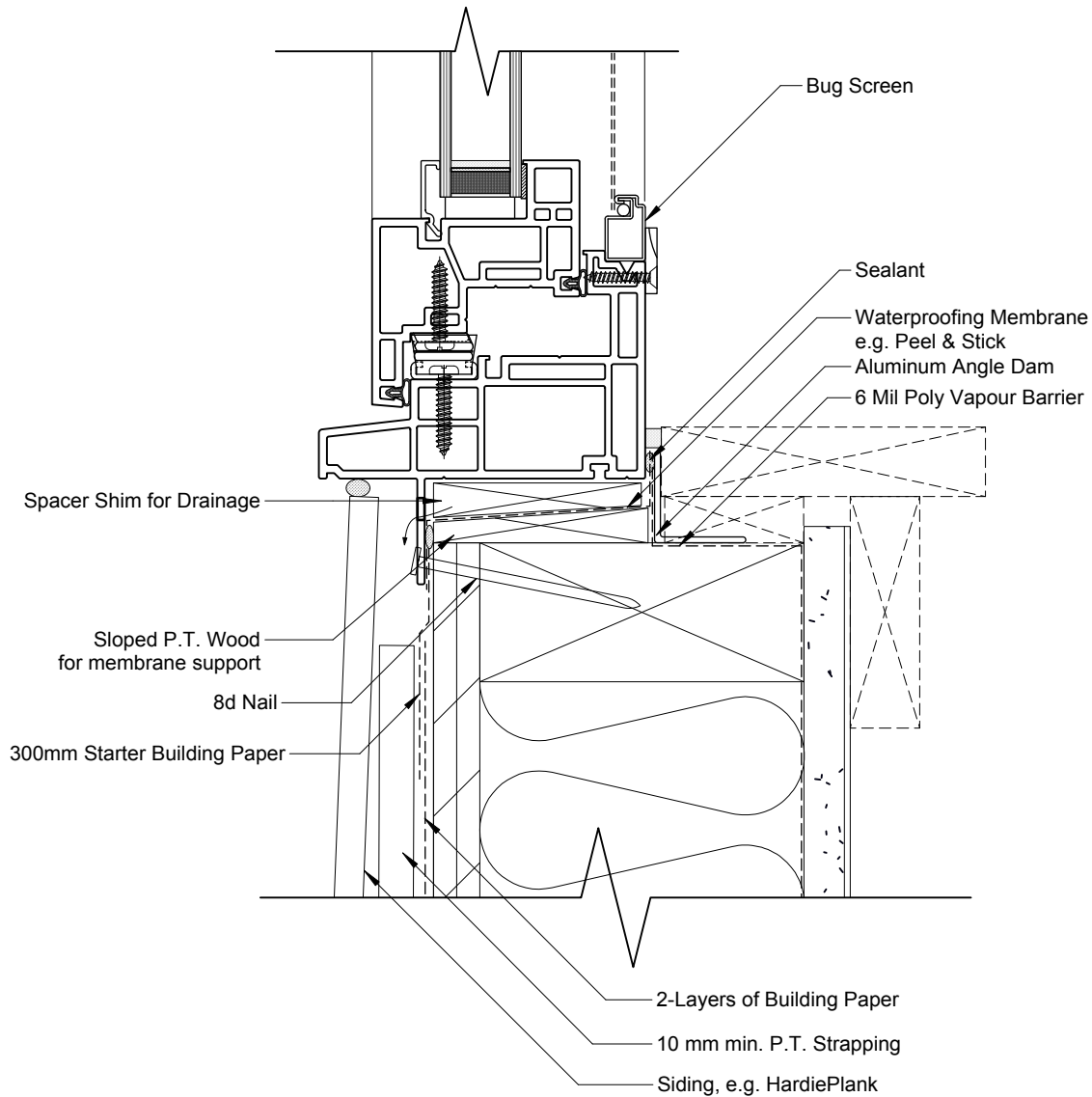
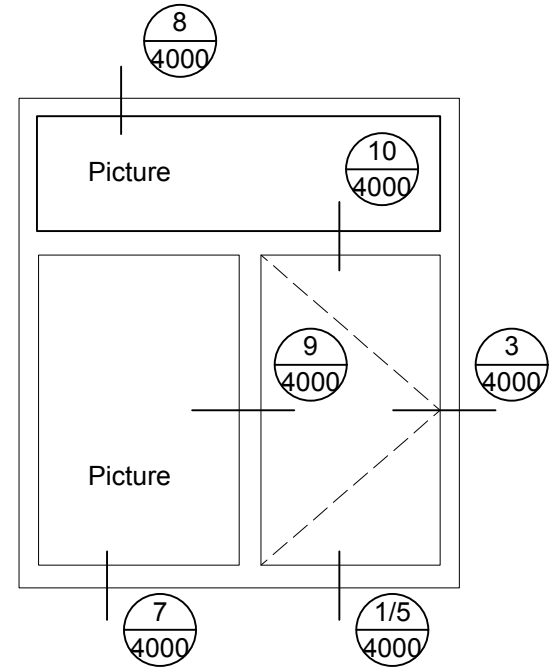


# CAM HARDWARE



1 Casement Sill Detail  
 Scale: 1:2



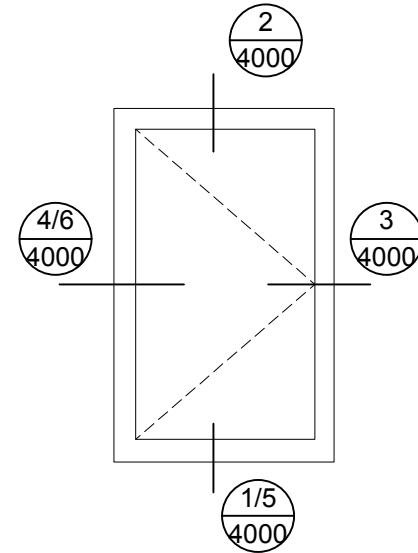
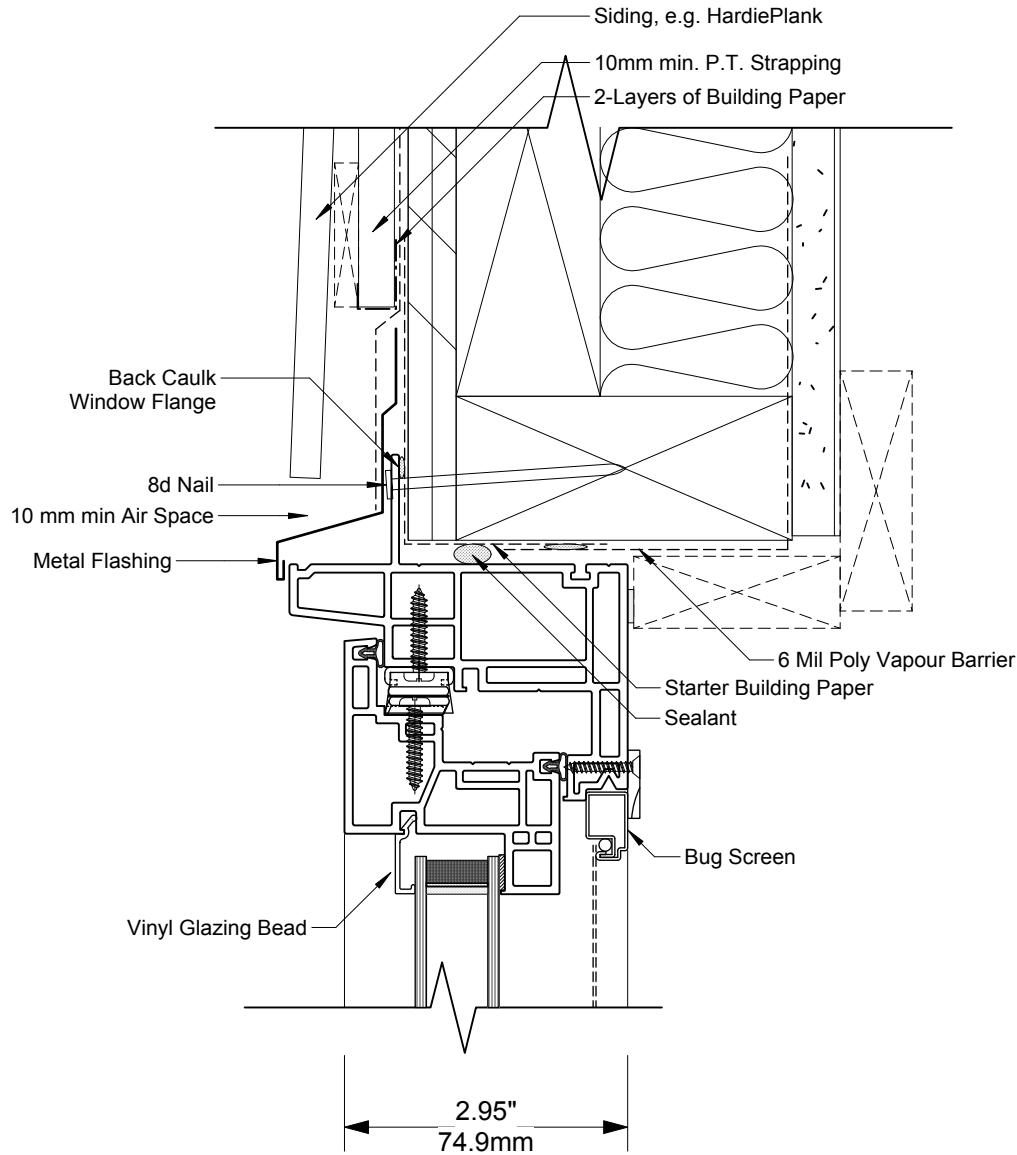
## 4000 SERIES VINYL CASEMENT WINDOWS

note:  
 accepted rainscreen details per BC.B.C



**Modern . Great Taste in Windows**  
 P. 604.485.2451 . [www.modern.ca](http://www.modern.ca)

# CAM HARDWARE / ROTO HARDWARE



## 4000 SERIES VINYL CASEMENT WINDOWS

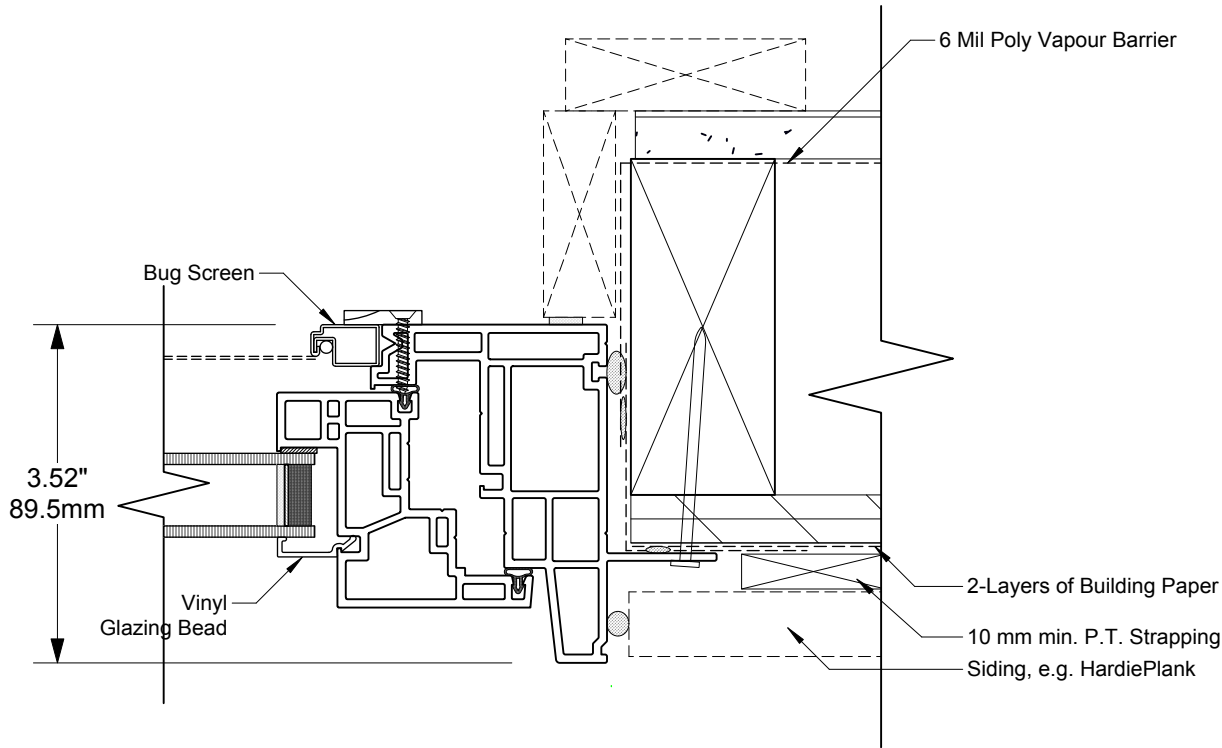
note:  
accepted rainscreen details per BC.B.C



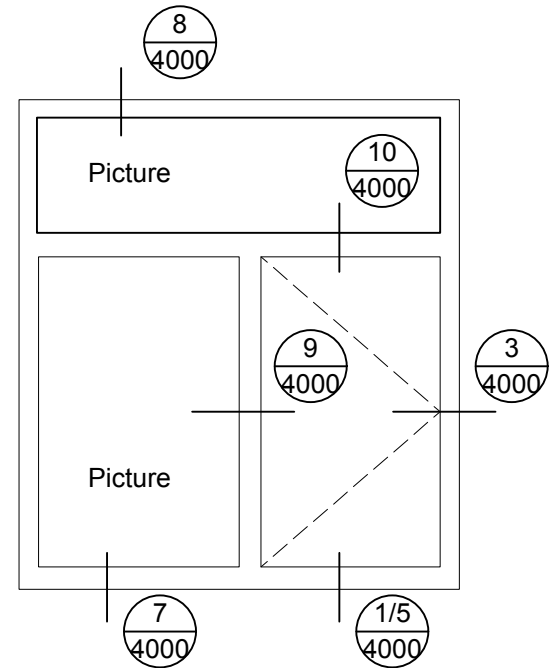
2 Casement Head Detail  
Scale: 1:2

**Modern . Great Taste in Windows**  
P. 604.485.2451 . [www.modern.ca](http://www.modern.ca)

# CAM HARDWARE / ROTO HARDWARE



3 Casement Jamb Detail  
Scale: 1:2



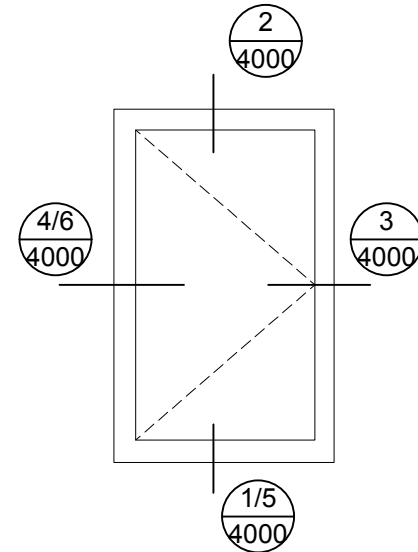
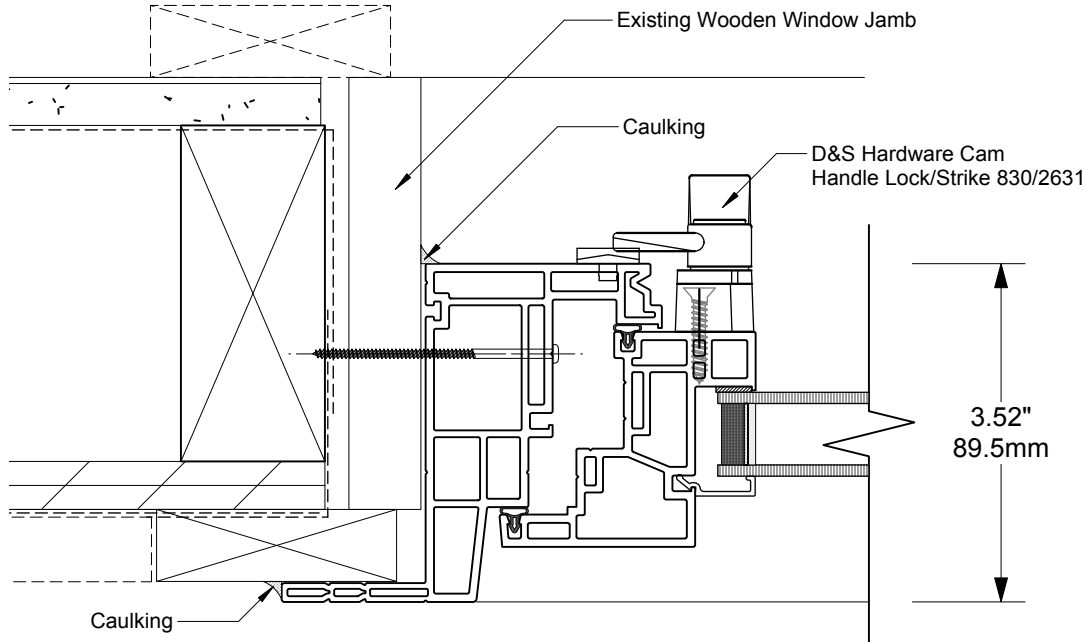
## 4000 SERIES VINYL CASEMENT WINDOWS

note:  
accepted rainscreen details per BC.B.C



**Modern . Great Taste in Windows**  
P. 604.485.2451 . [www.modern.ca](http://www.modern.ca)

# CAM HARDWARE RENOVATION PROFILE



## 4000 SERIES VINYL CASEMENT WINDOWS

note:  
accepted rainscreen details per BC.B.C

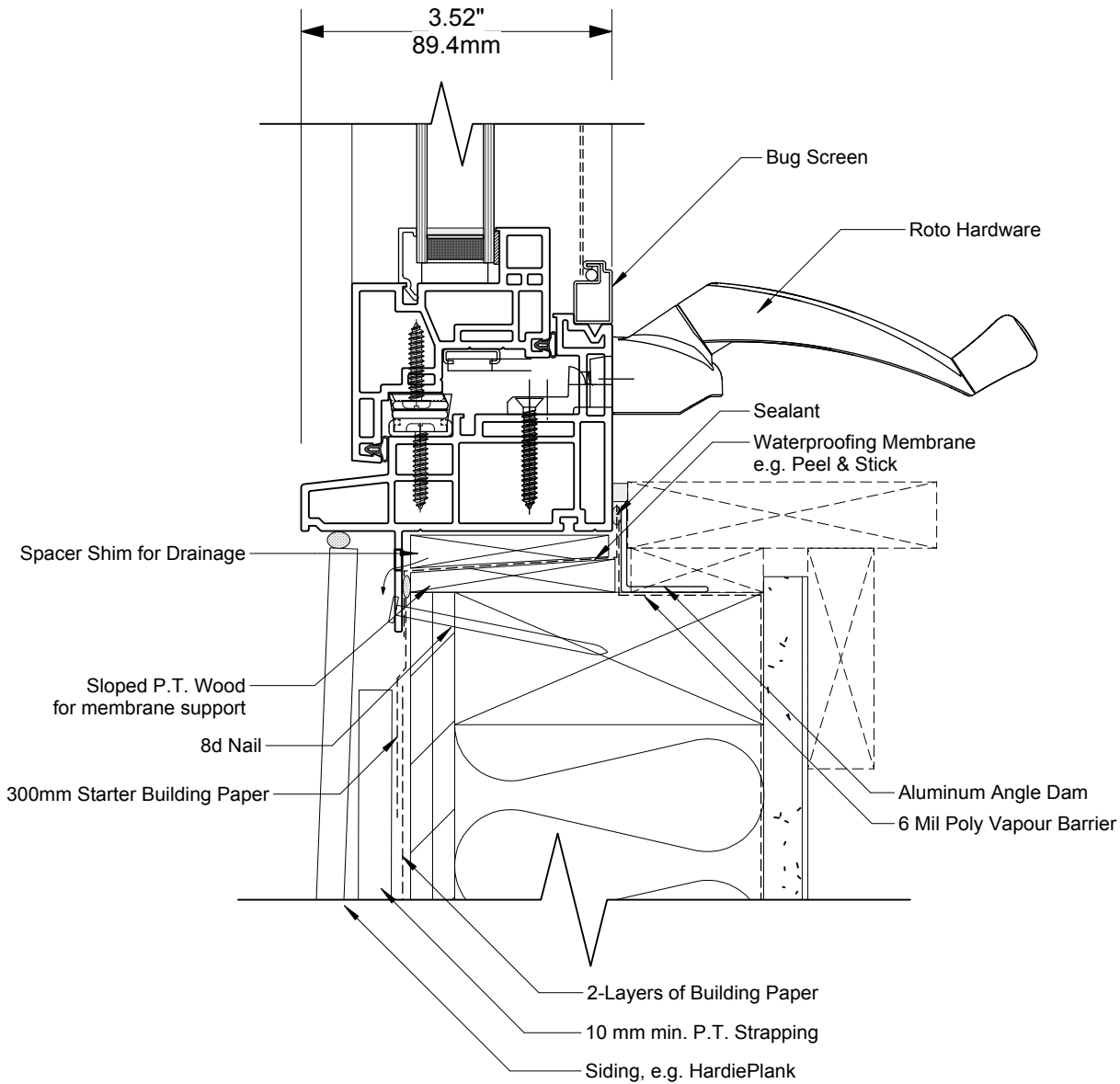
4 Casement Jamb Detail  
Scale: 1:2

# RENOVATION PROFILE

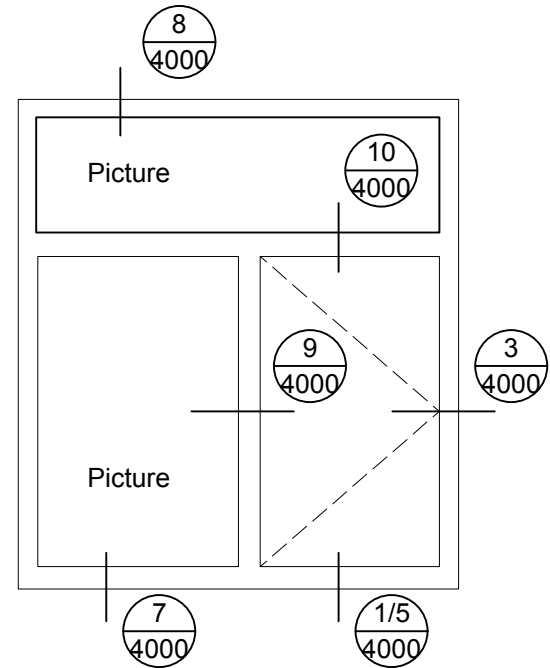


**Modern . Great Taste in Windows**  
P. 604.485.2451 . [www.modern.ca](http://www.modern.ca)

# ROTO HARDWARE



5 Casement Sill Detail  
Scale: 1:2



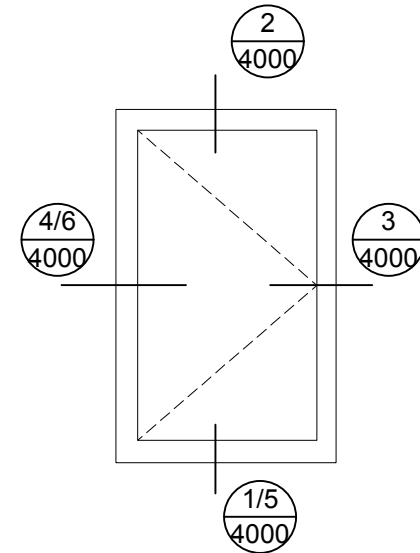
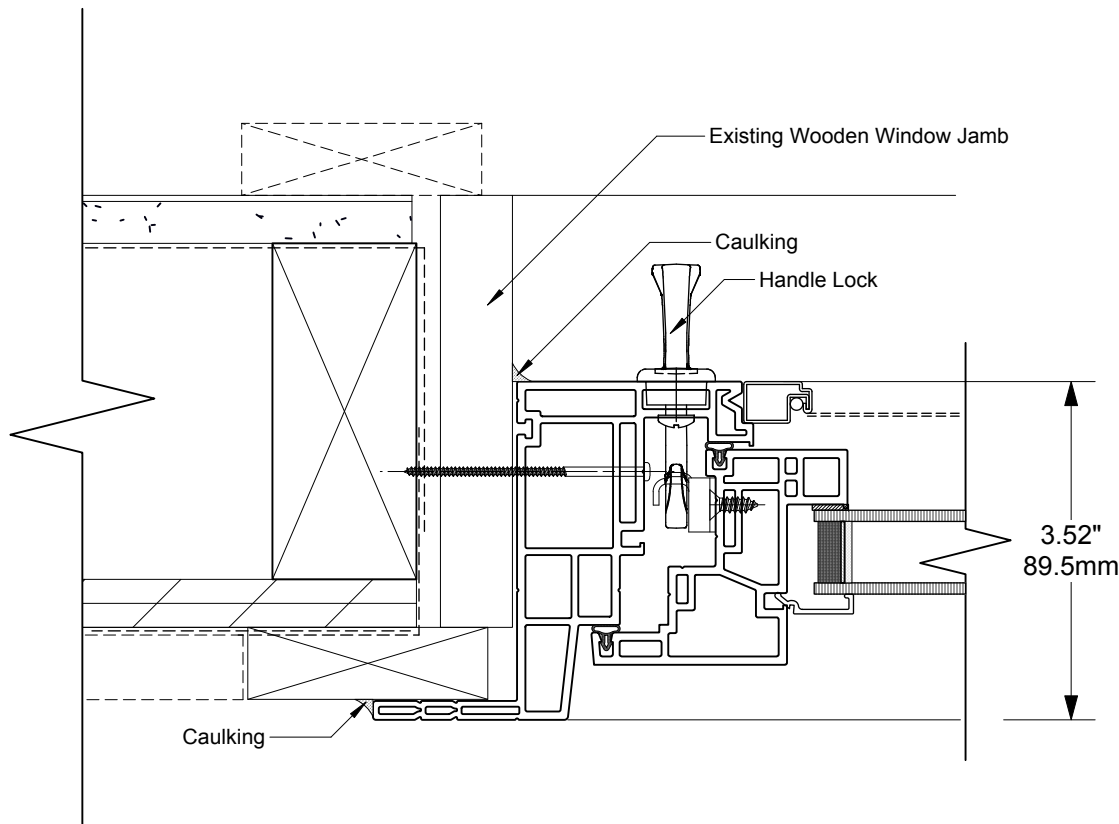
## 4000 SERIES VINYL CASEMENT WINDOWS

note:  
accepted rainscreen details per BC.B.C



**Modern . Great Taste in Windows**  
P. 604.485.2451 . [www.modern.ca](http://www.modern.ca)

# ROTO HARDWARE RENOVATION PROFILE



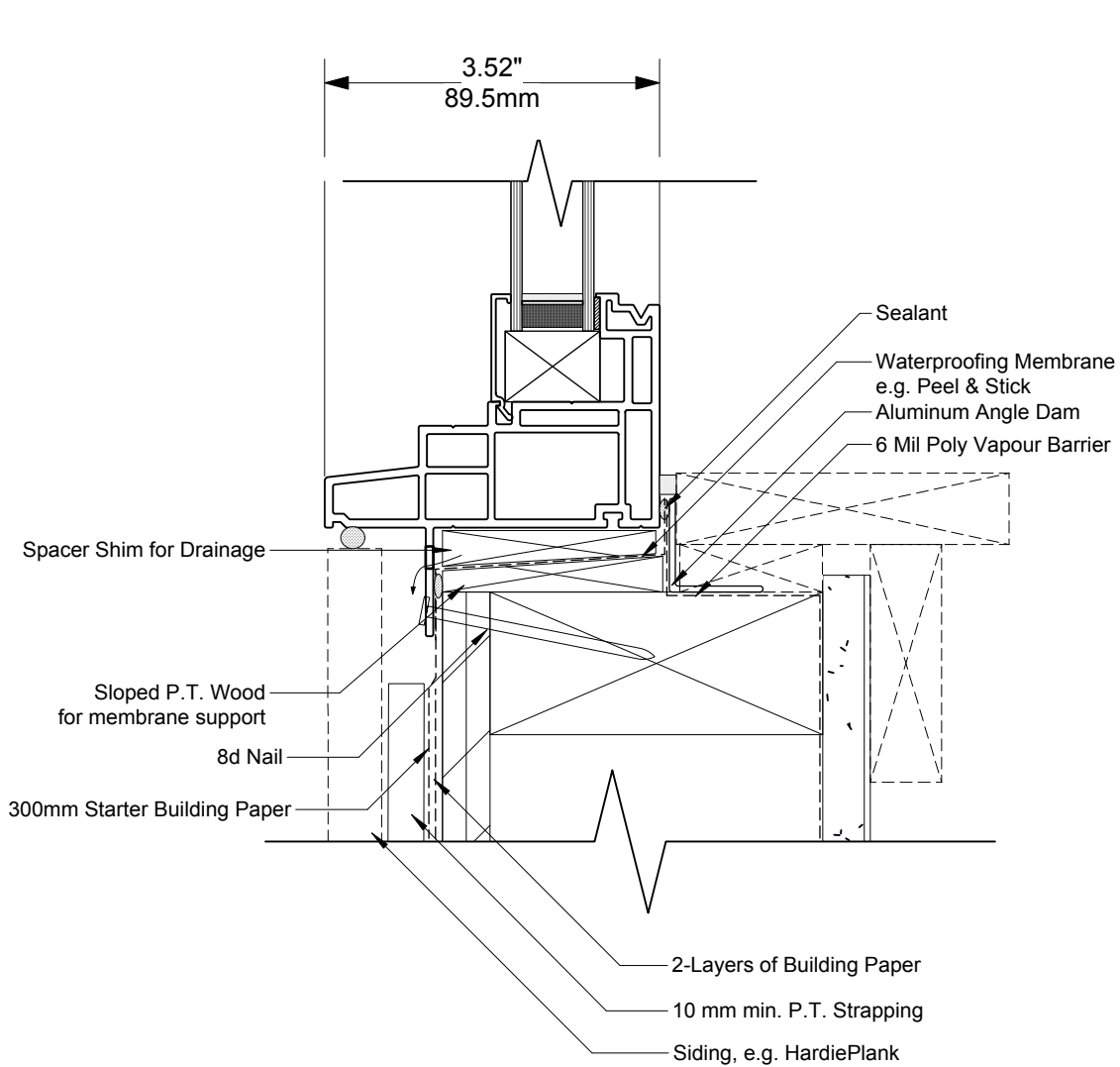
## 4000 SERIES VINYL CASEMENT WINDOWS

note:  
accepted rainscreen details per BC.B.C

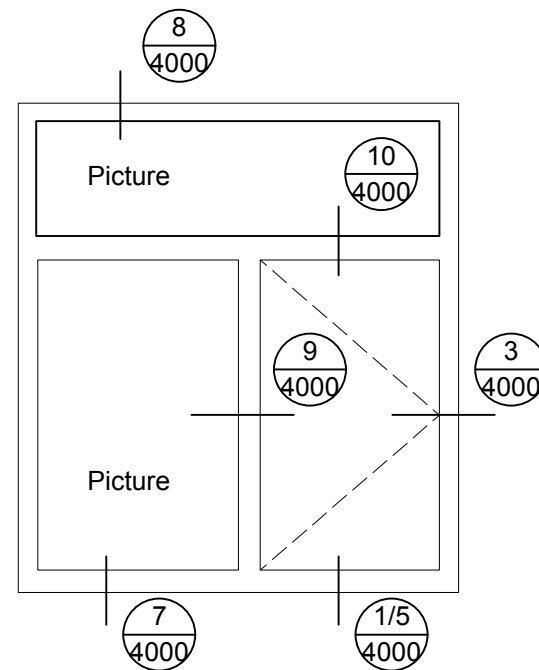
6 Casement Jamb Detail  
Scale: 1:2



**Modern . Great Taste in Windows**  
P. 604.485.2451 . [www.modern.ca](http://www.modern.ca)



7 Picture Sill Detail  
Scale: 1:2



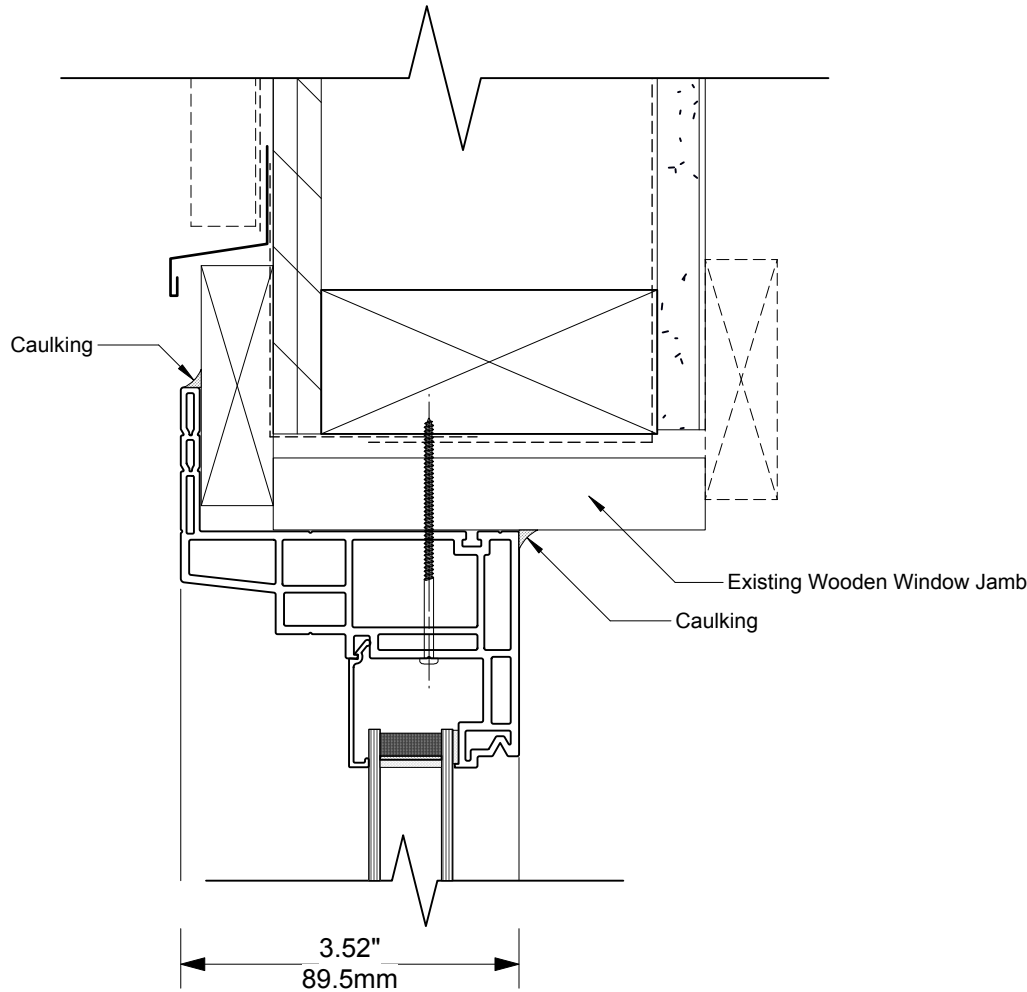
## 4000 SERIES VINYL CASEMENT WINDOWS

note:  
accepted rainscreen details per BC.B.C

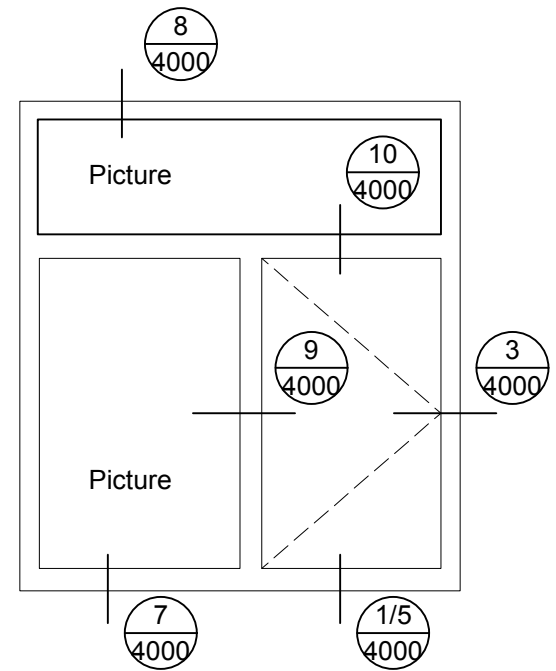


**Modern . Great Taste in Windows**  
P. 604.485.2451 . [www.modern.ca](http://www.modern.ca)

# RENOVATION PROFILE



8 Picture Head Detail  
Scale: 1:2



## 4000 SERIES VINYL CASEMENT WINDOWS

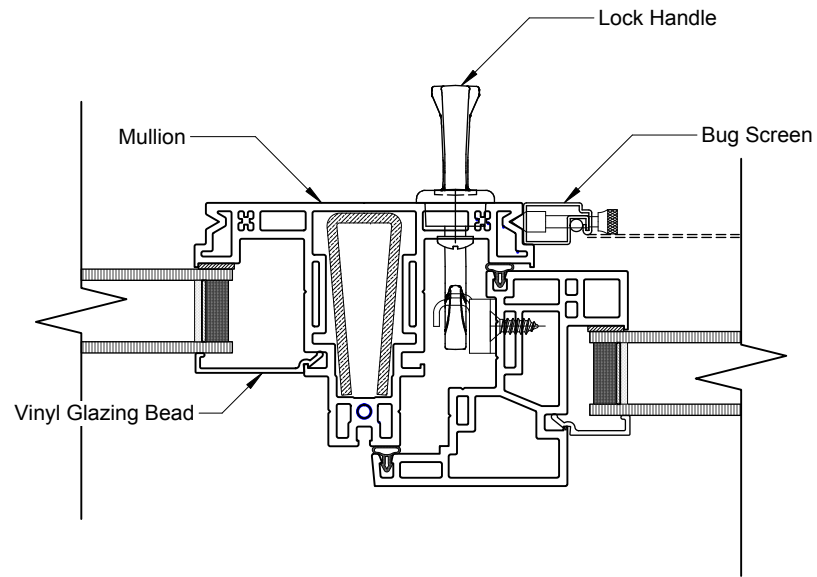
note:  
accepted rainscreen details per BC.B.C



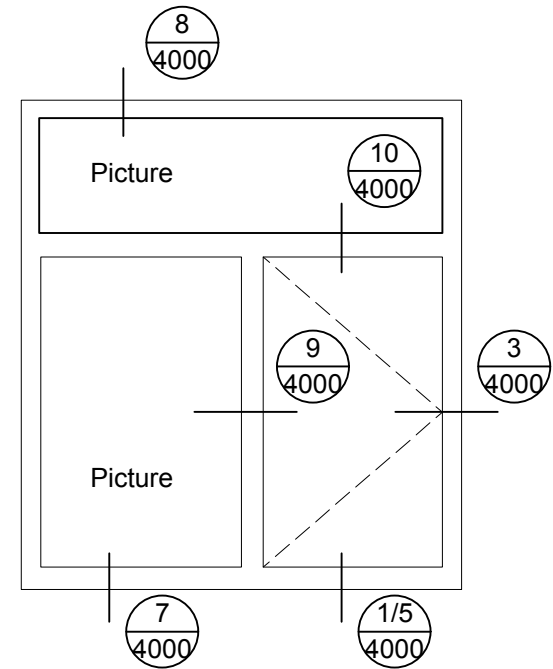
**Modern . Great Taste in Windows**  
P. 604.485.2451 . [www.modern.ca](http://www.modern.ca)



# ROTO HARDWARE



9 Vertical Mullion Detail  
Scale: 1:2

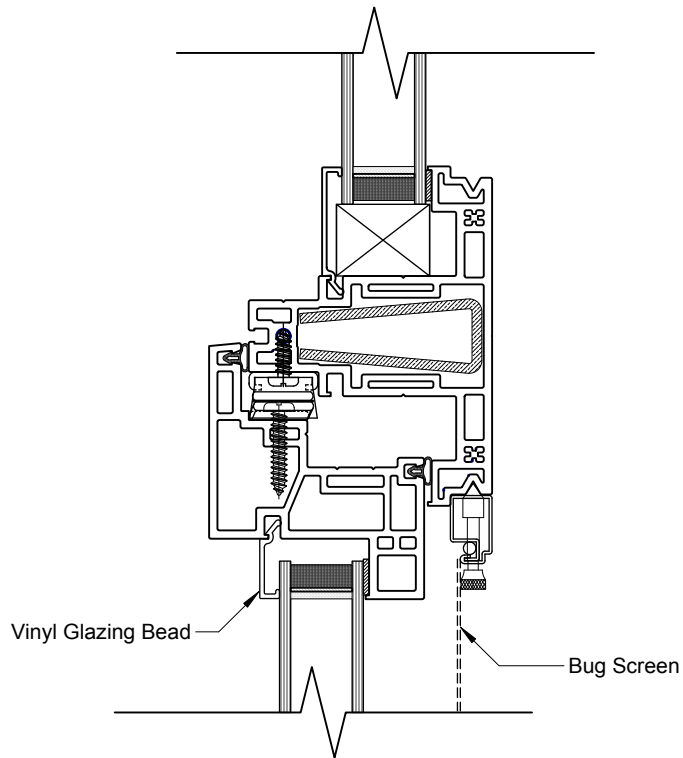


## 4000 SERIES VINYL CASEMENT WINDOWS

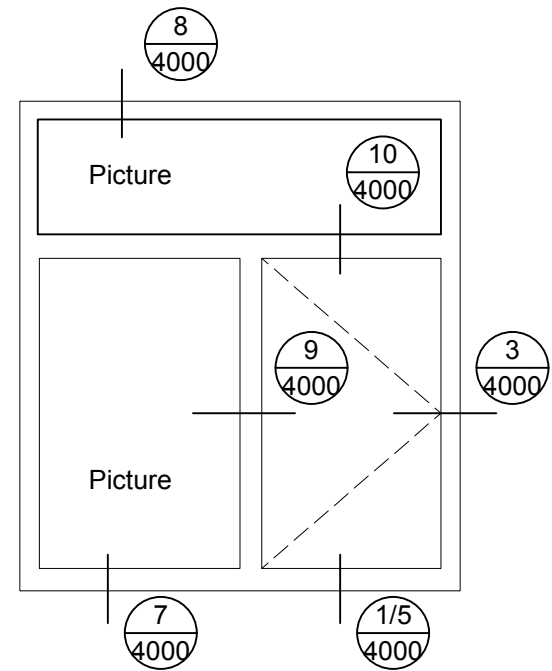


**Modern . Great Taste in Windows**  
P. 604.485.2451 . [www.modern.ca](http://www.modern.ca)

# CAM HARDWARE / ROTO HARDWARE



10 Horizontal T-Bar Detail  
Scale: 1:2



## 4000 SERIES VINYL CASEMENT WINDOWS



**Modern . Great Taste in Windows**  
P. 604.485.2451 . [www.modern.ca](http://www.modern.ca)